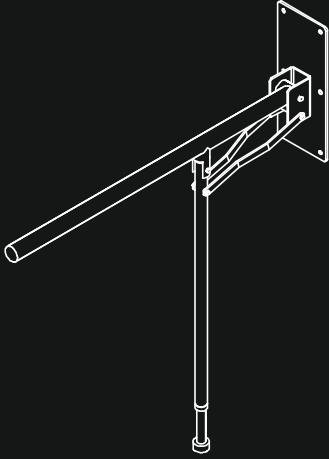


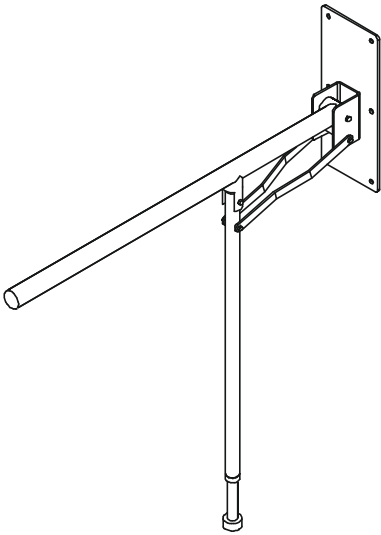
DOC M Pack



See full details next page

Finishes : SS, PS

Drop down rail



Product Code

20.1935

DOC M consisting of

1 x drop down rail

1 x back rest

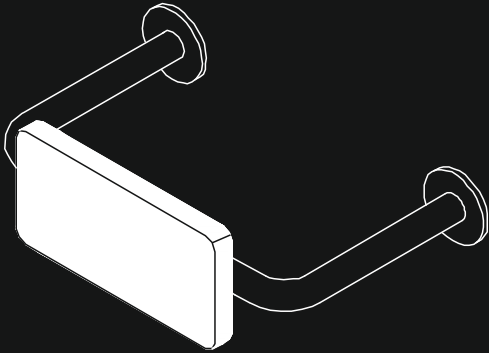
4 x 32 mm dia x 600mm c/c grab rails

Code Illustration

20.1935.SS = Satin stainless steel set

Finishes : SS, PS

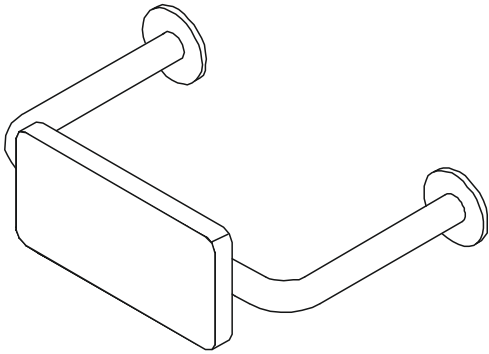
Back rest



See full details next page

Finishes : SS, PS

Back rest



Back rest with white pad

Back rest to 20.1935 DOC M Pack

Code Illustration

20.1935.SS = Satin stainless steel set

Finishes : SS, PS

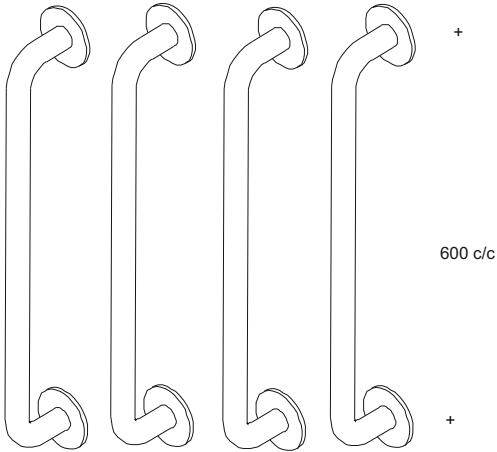
Grab rails



See full details next page

Finishes : SS, PS

Grab rails



Product Code

32 mm dia grab rail

Grab rails for 20.1935 DOC M Pack

Code Illustration

20.1935.SS = Satin stainless steel set

Finishes : SS, PS